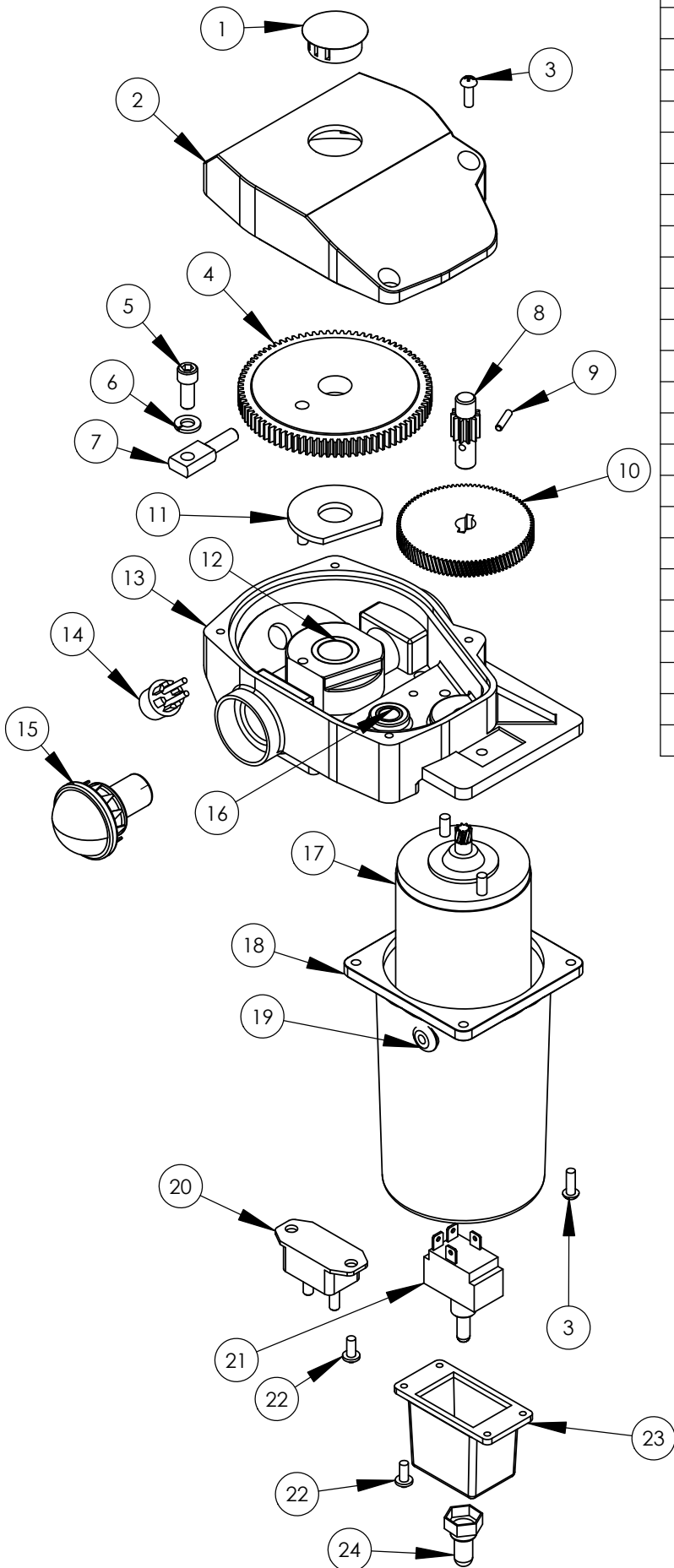


MOTOR EXPLODED VIEW 3002



NO.	QTY.	PART #	DESCRIPTION
1	1	38-751008	CAP-PLUG
2	1	38-751030	COVER-HOUSING
3	8	38-751010	SCREW M4-.70 X 10MM
4	1	38-751026	GEAR-MAIN DRIVE
5	1	38-751015	SCREW-M6-1.0 X 15MM SCKT
6	1	38-751012	WASHER-6M LOCK
7	1	38-751025	PIN-HEADED
8	1	38-751031	GEAR-PINION
9	1	38-751004	PIN
10	1	38-751033	GEAR-SPUR
11	1	38-751032	WASHER-THRUST
12	2	38-751044	BUSHING-5/8 ID. X 7/8 OD.
13	1	38-751049	HOUSING-MAIN GEAR
14	1	38-751041	SWITCH-ROTARY
15	2	38-751042	LIGHT-SHIELDED UTILITY
16	1	38-751018	BUSHING-3/8 ID. X 1/2 OD.
17	1	38-751040	MOTOR-12 VOLT
18	1	38-751048	HOUSING-MOTOR
19	1	38-751046	GROMMET
20	1	38-101283	BREAKER-CIRCUIT
21	1	38-751037	SWITCH-12 VOLT
22	6	38-751043	SCREW M4-.70 X 7MM
23	1	38-751047	HOUSING-SWITCH
24	1	38-751039	BOOT SNAP SEAL

NOTE: NOT SHOWN
 38-751007 MANUAL CRANK
 38-741035 FUSE HOLDER
 38-751034 FUSE 30 AMP SLOW BLOW

3002 LOWER STEM

NO.	QTY.	PART #	DESCRIPTION
1	2	38-751003	WASHER-.06 THICKNESS
2	1	38-751002	THRUST NEEDLE BEARING
3	1	38-751028	COLLAR-DRIVE
4	1	38-751006	PIN-UPPER
5	2	38-751138	PIN-COTTER
6	8	38-751013	DISC-SPRING 20MM
7	4	38-751001	WASHER-20MM ID 37MM OD
8	1	38-751029	NUT-BRONZE
9	1	38-751027	JACKSCREW
10	1	38-751005	PIN-LOWER JACKSCREW
11	1	38-751050	TUBE-INNER
12	1	38-751011	SCREW-M8-1.25 X 10MM SET
13	1	38-751051	TUBE-OUTER
14	4	38-751009	WASHER-9MM LOCK
15	4	38-751014	SCREW-M8-1.25 X 25MM SCKT HD
16	1	38-751052	FOOTPAD
17	1	38-751017	PIN-LOCK 2 1/2"

38-842000 - LOWER STEM ASSEMBLY
(INCLUDES ITEMS 1 THRU 12)

38-842001 - LOWER STEM ASSEMBLY
(INCLUDES ITEMS 1 THRU 13)

